

# D3 SMART / D5-EVO SMART / D6 SMART THEFT-DETERRENT CAGE INSTALLATION MANUAL



# Company Profile



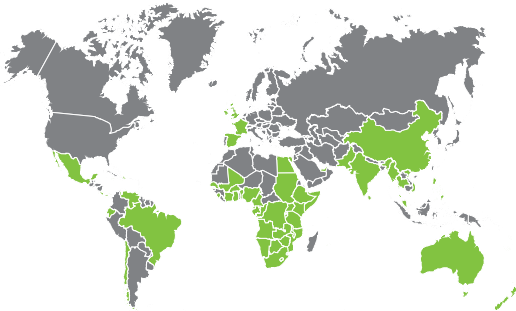
**In-house R&D development team**



**Manufactures to international quality standard ISO 9001:2015**

**After-sales multi-language Technical Support**

**100% testing of products**



**Sales and technical support to Africa, Europe, Asia, the Americas, Australia and the Pacific**

**Technical Support Operating Times**

**Monday to Friday**  
08h00 to 16h30 GMT+2,

**Saturdays**  
08h00 to 14h00 GMT+2

**Centurion Systems (Pty) Ltd** reserves the right to make changes to the product described in this manual without notice and without obligation to notify any persons of any such revisions or changes. Additionally, **Centurion Systems (Pty) Ltd** makes no representations or warranties with respect to this manual. No part of this document may be copied, stored in a retrieval system or transmitted in any form or by any means electronic, mechanical, optical or photographic, without the express prior written consent of **Centurion Systems (Pty) Ltd**.



# 1. Introduction

## 1.1. Important Safety Information



### ATTENTION!

To ensure the safety of people and possessions, it is important that you read all of the following instructions.

**Incorrect installation or incorrect use of the product could cause serious harm.**

**Before handover to the end-user, the installer must ensure that the whole system is correctly installed and operates safely.**

## Warnings for the Installer

**CAREFULLY READ AND FOLLOW ALL INSTRUCTIONS before beginning to install the product.**

- Do not in any way modify the components
- Do not leave packing materials (plastic, polystyrene, etc.) within reach of children as such materials are potential sources of danger
- Neither Centurion Systems (Pty) Ltd, nor its subsidiaries, accepts any liability caused by improper use of the product, or for use other than that for which the system was intended
- This product was designed and built strictly for the use indicated in this documentation. Any other use, not expressly indicated here, could compromise the service life/operation of the product and/or be a source of danger
- The installer must explain the operation of the D3 SMART / D5-EVO SMART / D6 SMART **Theft-Deterrent Cage** and any safety hazards to the end-user - refer to "Section 5 - Installation Handover"
- Anything not expressly specified in these instructions is not permitted

### Icons used in this manual



This icon indicates tips and other information that could be useful during the installation.

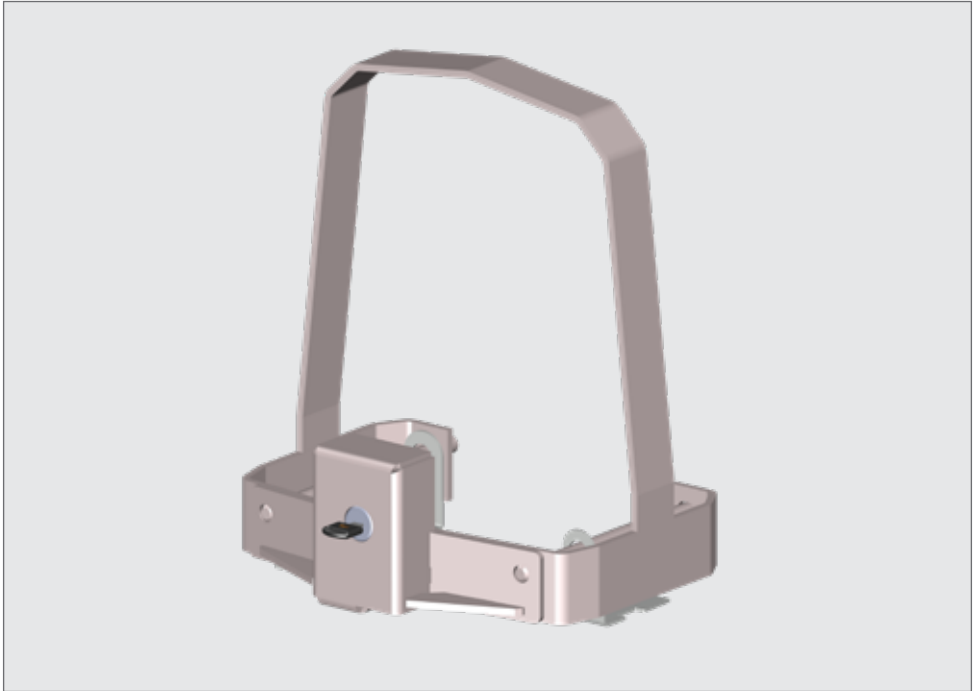


This icon denotes variations and other aspects that should be considered during installation.



**This icon indicates warning, caution or attention! Please take special note of critical aspects that MUST be adhered to in order to prevent injury.**

## 2. General Description



**FIGURE 1. SMART OPERATOR THEFT-DETERRENT CAGE**

The D3 SMART / D5-Evo SMART / D6 SMART **Theft-Deterrent Cage** is designed to significantly reduce the risk of an intruder gaining access to the operator.

Disclaimer: Due to continuous improvement in the design and manufacture of this product, the actual product may differ slightly in appearance to that which is depicted herein. Centurion Systems (Pty) Ltd cannot be held liable under any circumstance for any damage, loss or action that results from your gate operator being tampered with.

### 3. Product Identification

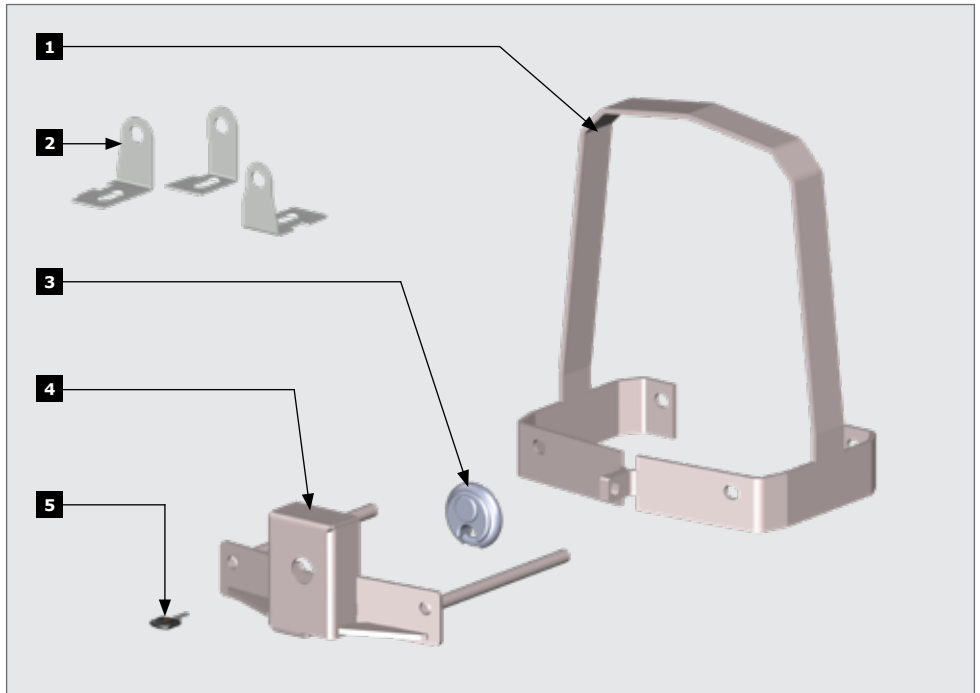


FIGURE 2. PRODUCT IDENTIFICATION

1. SMART Operator **Theft-Deterrent Cage** Overstrap
2. 3x Support Brackets (L1, L2, and R1)
3. Discus Padlock
4. Front Bar Assembly
5. Key

## 4. SMART Operator Theft-Deterrent Cage Installation



Images may vary according to the SMART Operator.



### IMPORTANT!

**In the case where one has the optional magnet origin system fitted, relocate the gate magnet as close as possible to the operator cover and reset the gate limits.**

For new installations, remove the Operator Cover, Charger, and Lower Battery Tray.

For existing installations, remove the Operator Cover, battery(ies), charger, and Lower Battery Tray.

Place these parts in a safe place where they will not get damaged.

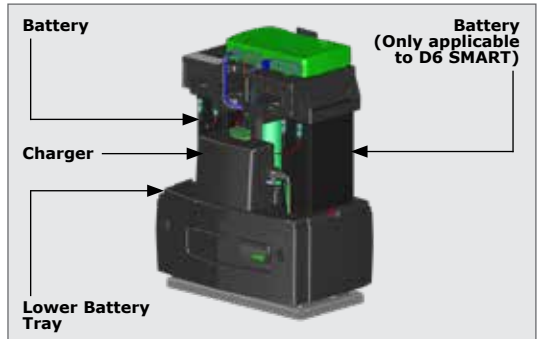


FIGURE 3

For existing installations, remove the three lock nuts, spring washers, and Top Height Adjusters, and Earth Lug.

For new installations, install the Operator as per instructions in its installation manual, up to section "**Placing the Spring Washers and Lock Nuts**" before continuing.

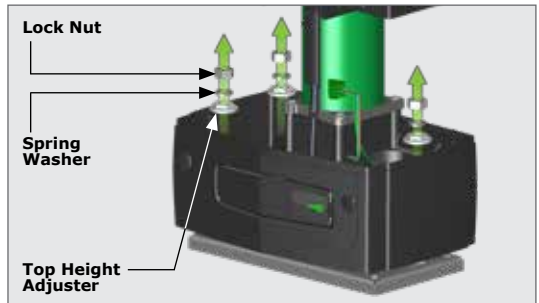


FIGURE 3



Each of the three support brackets differ from one another, locating in its unique position inside of the Gearbox. Refer to Figure 4 for their positions and footprints.

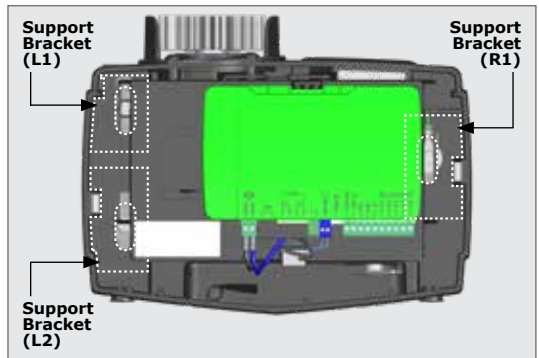


FIGURE 4

Place the three support brackets into the Gearbox as shown in Figure 5.



Note the orientation of each bracket.

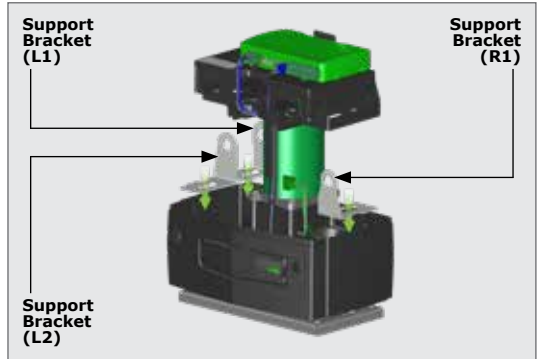


FIGURE 5

Place the three lock nuts, spring washers, Top Height Adjusters, and Earth Lug back into position

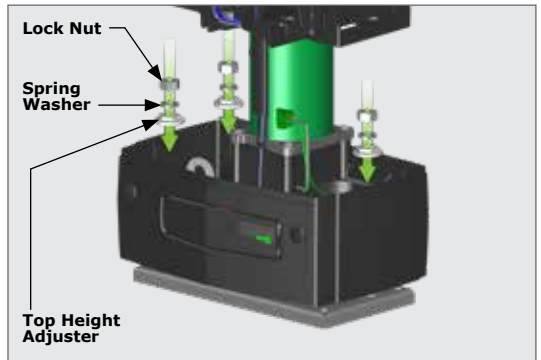


FIGURE 6

Reassemble the Gate Operator and complete its installation as per the Operator's Installation Manual.

Once the installation of the operator is complete, place the Operator's Cover in position.

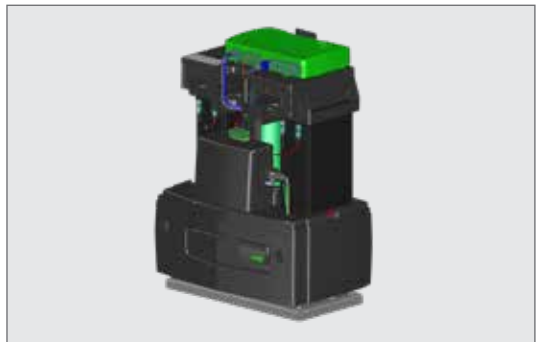


FIGURE 7

Push the two Gearbox Plugs (one on either side of the Gearbox) into the Gearbox.

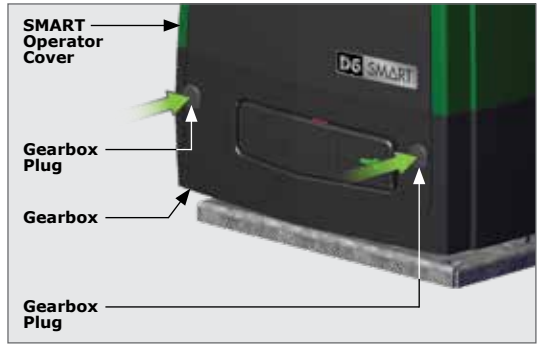


FIGURE 3

Place the Overstrap over the top of the SMART Operator.

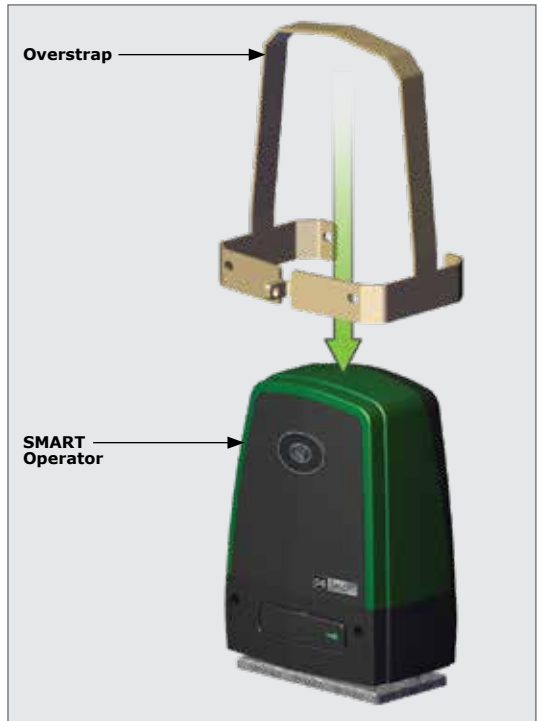


FIGURE 4





Always unlock the Disc Padlock before placing the Front Bar Assembly into position.

Align the two holes in the Overstrap with the two holes in the front of the SMART Operator's Gearbox, and insert the Front Bar Assembly through the holes of the Overstrap and Gearbox.

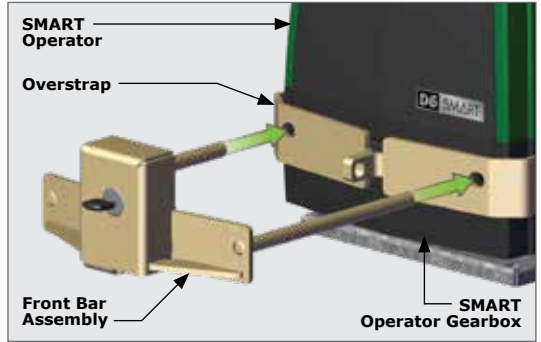


FIGURE 5

Push the Front Bar Assembly completely through the Gearbox and Overstrap, ensuring that the bar extends out the back of the Overstrap.



**Take care when pushing the Front Bar Assembly through the back of the Gearbox.**

**Forcing it may cause damage to the Gearbox housing.**

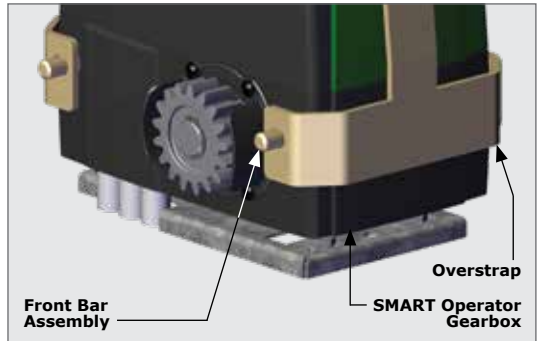


FIGURE 6

Lock the Front Bar Assembly into position, remove the Key and store it in a safe place.

The finished installation should look as shown in Figure 7.



FIGURE 7

## 5. Installation Handover

Once the D3 SMART / D5-Evo SMART / D6 SMART **Theft-Deterrent Cage** has been successfully installed and its operation tested, it is important for the operation and safety considerations to be explained to the end-user of the system.







**Connect with us on:**

 **@CenturionSystemsRSA**

 **@Centurion.Systems**

 **@Centurion.Systems**

 **@AskCenturion**

 **@Centurion-Systems**

 **@Centurion.Systems**

 **@CenturionSystems**

 **Centurion-Systems**

**Subscribe to the newsletter: [www.centsys.com/subscribe](http://www.centsys.com/subscribe)**

 **WhatsApp - Technical Support**

**South Africa: +27 (0)83 650 4010**

**International: +27 (0)83 650 4244**

**Monday to Friday: from 08h00 to 16h30 (GMT+2)**

**Saturday: from 08h00 to 14h00 (GMT+2)**

**E&OE Centurion Systems (Pty) Ltd reserves the right to change any product without prior notice**  
All product and brand names in this document that are accompanied by the ® symbol are registered trademarks in South Africa and/or other countries, in favour of Centurion Systems (Pty) Ltd, South Africa.

The CENTURION and CENTSYS logos, all product and brand names in this document that are accompanied by the TM symbol are trademarks of Centurion Systems (Pty) Ltd, in South Africa and other territories; all rights are reserved.  
We invite you to contact us for further details.



**Doc number: 1401.D.01.0014\_09072024**

**[www.centsys.com](http://www.centsys.com)**